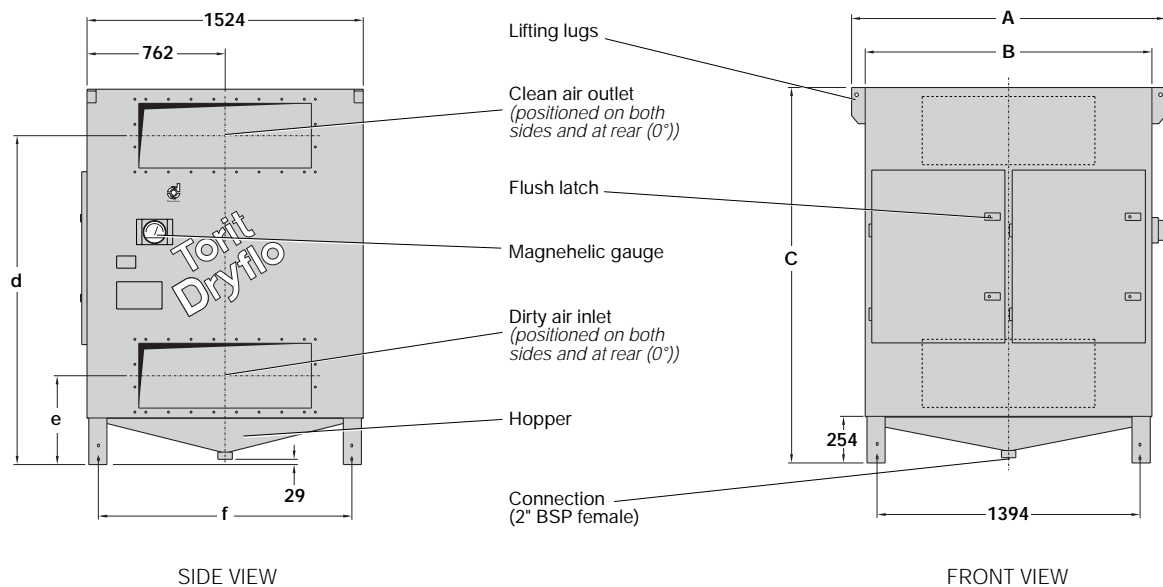


# Dryflo Mist Collectors

Series DMC-D2, D4, D6, D8 and D10



## Dryflo DMC-D2 and DMC-D4 mist collectors

Model DMC-D4 illustrated

### SPECIFICATIONS

Model	No. of filter elements*	Filtration area	DIMENSIONS in mm						Approx. net weight
			A	B	C	d	e	f	
DMC-D2	2	40.8m <sup>2</sup>	894	794	1722	1573	403	664	290 kg
DMC-D4	4	81.6m <sup>2</sup>	1731	1582	2069	1813	490	1452	785 kg

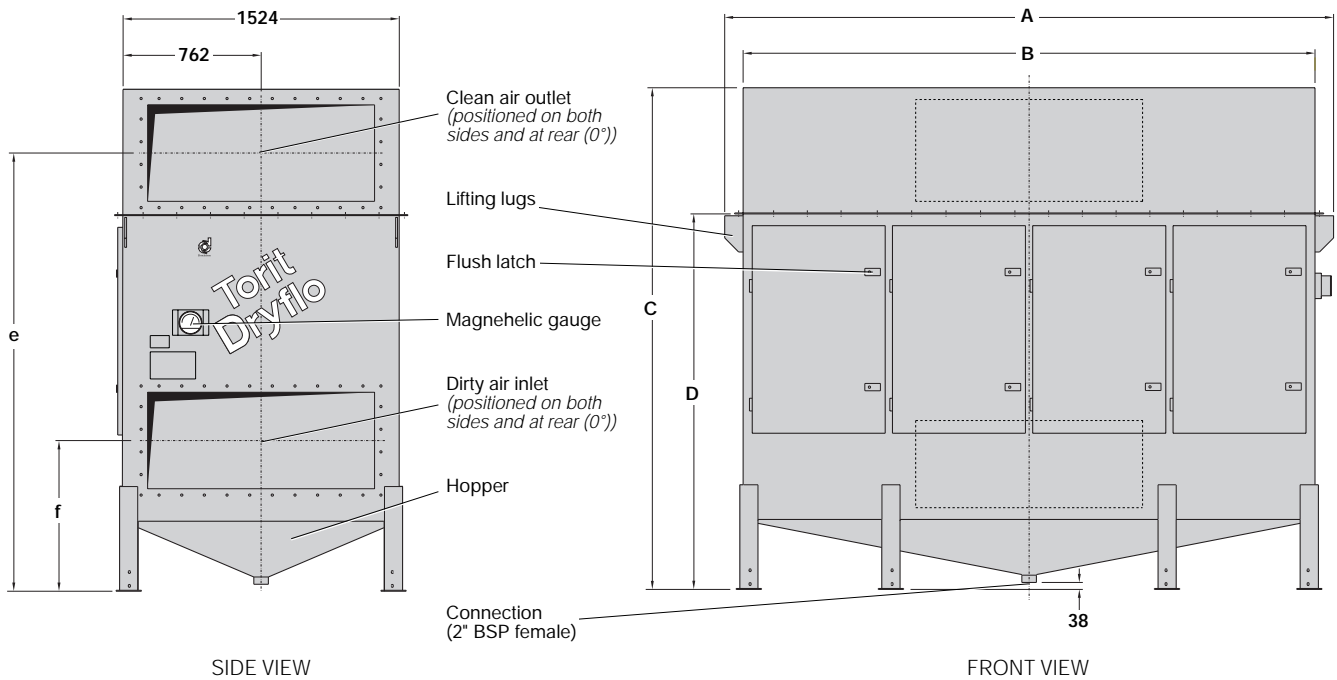
\*Refer to filter element specifications in table below

### FILTER ELEMENT SPECIFICATIONS

A first stage filter and a second stage filter element wrap is included per third stage filter element. Dependant on the application, a different first stage filter can be selected:

- Wire mesh (standard)
- Thin screen (for heavy particle loading applications)
- Polypropylene (for heavy liquid loading applications)

**Dryflo Mist Collectors – Series DMC-D2, D4, D6, D8 and D10**

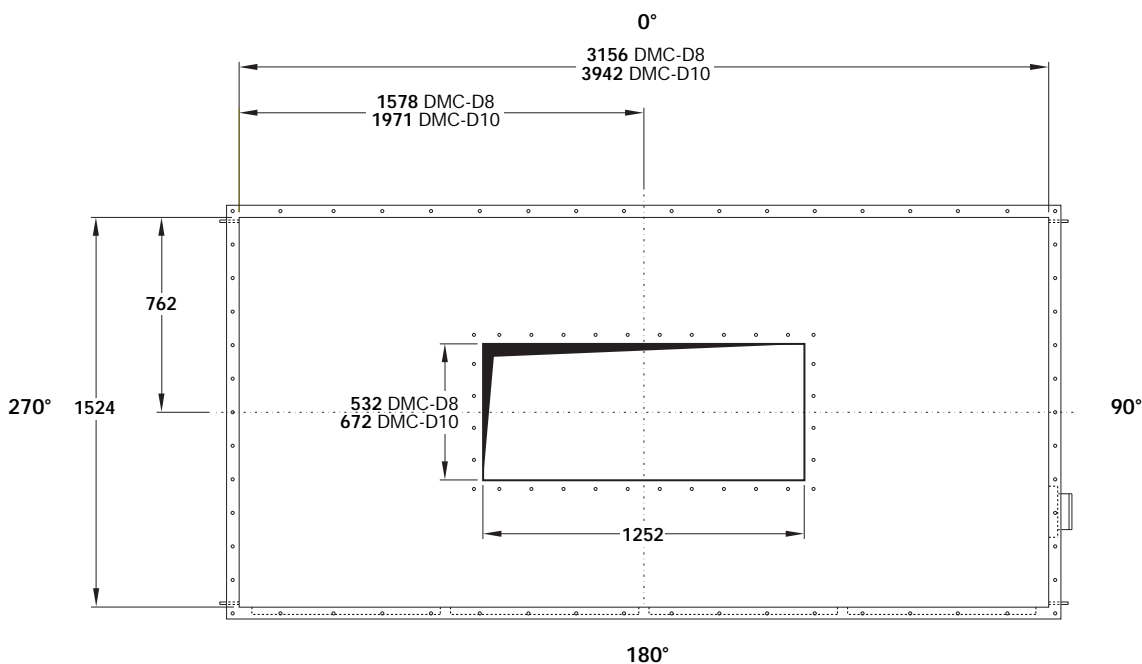


**Dryflo DMC-D6, DMC-D8 and DMC-D10 mist collectors**

Model DMC-D8 illustrated

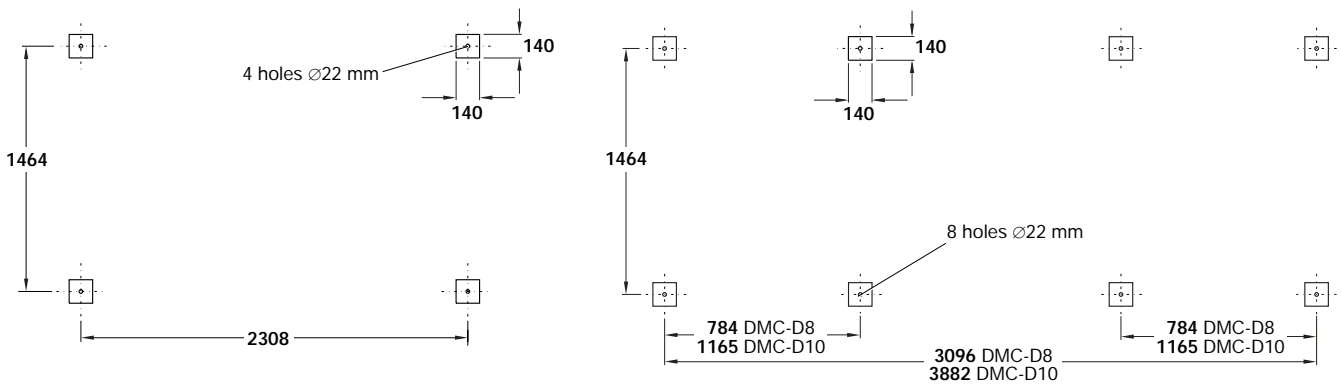
Model	No. of filter elements*	Filtration area	DIMENSIONS in mm						Approx. net weight
			A	B	C	D	e	f	
DMC-D6	6	122.4m <sup>2</sup>	2572	2368	2494	1879	2189	677	967 kg
DMC-D8	8	163.2m <sup>2</sup>	3361	3156	2768	2072	2417	831	1319 kg
DMC-D10	10	204.0m <sup>2</sup>	4147	3942	3145	2309	2722	996	1615 kg

\*Refer to filter element specifications on page 1



**Position of top outlet for DMC-D8 and DMC-D10**

**Dryflo Mist Collectors – Series DMC-D2, D4, D6, D8 and D10**



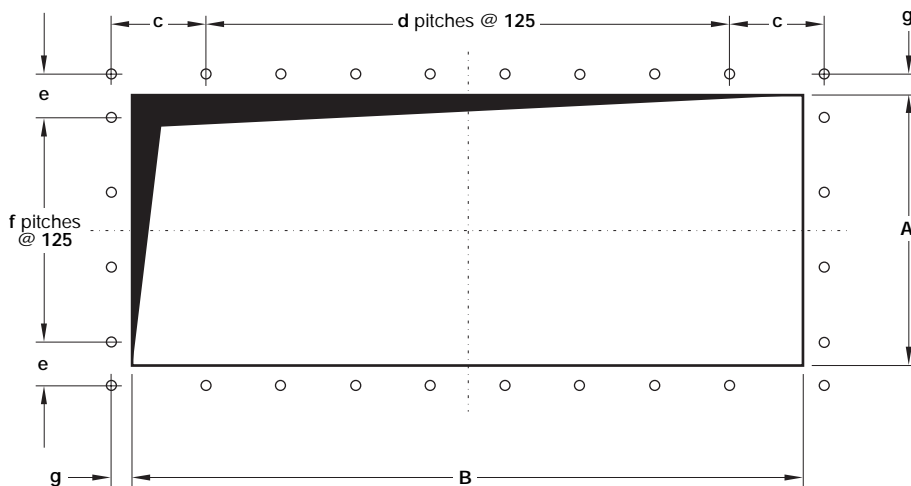
**Foundation details for DMC-D6 (Standard model)**

**Foundation details for DMC-D8 & DMC-D10 (Standard models)**

NOTE: Foundation details for DMC-D2 and DMC-D4 are not available for standard models, because there is no footplate

DESIGN SPECIFICATIONS (standard equipment)	
<b>Operating temperature:</b>	5° to 60°C
<b>Power supply:</b>	3 x 230V + Pe-50 Hz 3 x 400V + Pe-50 Hz
<b>Finishing:</b>	PU paint colour RAL 5019 (blue)

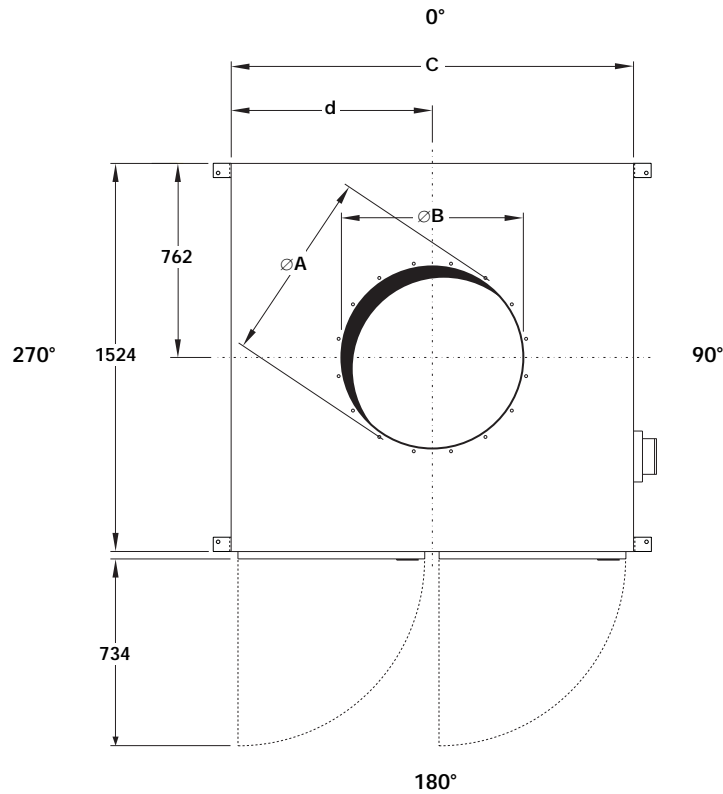
DESIGN RANGE SPECIFICATIONS		
Model	Min. airflow (m <sup>3</sup> /h) ΔP 40 daPa	Max. airflow (m <sup>3</sup> /h) ΔP 70 daPa
<b>DMC-D2</b>	5100	7500
<b>DMC-D4</b>	10500	15000
<b>DMC-D6</b>	15700	22400
<b>DMC-D8</b>	20950	29900
<b>DMC-D10</b>	26200	37400



Model	Nominal □	DIMENSIONS in mm*							No. of holes (M10 threaded)
		A	B	c	d	e	f	g	
<b>DMC-D2</b>	200 x 670	202	672	170.5	3	123	0	22	14
<b>DMC-D4</b>	355 x 950	357	952	60.5	7	138	1	22	24
<b>DMC-D6</b>	450 x 1120	452	1122	158.5	7	73	3	35	28
<b>DMC-D8</b>	530 x 1250	532	1252	98.5	9	113.5	3	35	32
<b>DMC-D10</b>	670 x 1250	672	1252	98.5	9	183.5	3	35	32

\* DIN 24193/2

**Front 180° and rear 0° inlet and outlet details  
for Dryflo DMC-D2, DMC-D4, DMC-D6, DMC-D8 and DMC-D10  
Top outlet details for DMC-D8 and DMC-D10**



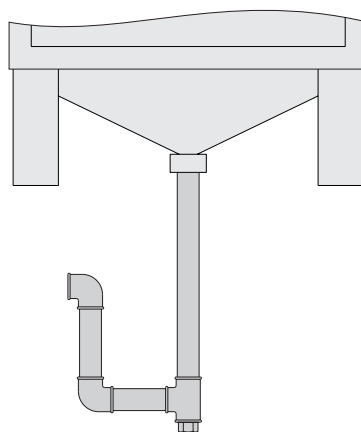
Model	Nominal $\varnothing$	DIMENSIONS in mm*			d	No. of holes (threaded)
		$\varnothing A$	$\varnothing B$	C		
DMC-D2	400	448	404	794	397	12 x $\varnothing 15$
DMC-D4	710	775	714	1582	791	16 x $\varnothing 14$
DMC-D6	710	775	714	2368	1184	16 x $\varnothing 14$

\* DIN 24154/2 (July 1990)

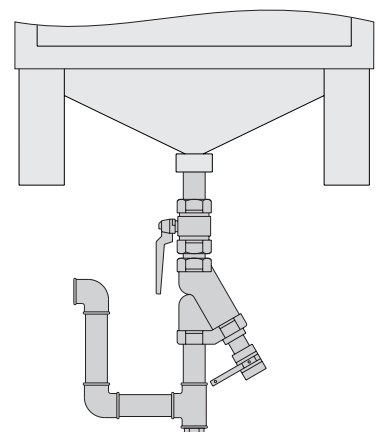
### Top outlet details for DMC-D2, DMC-D4 and DMC-D6

## OPTIONS

- Leg pack
- Platform (DMC-D6 only)
- Platform with ladder (DMC-D6, DMC-D8 and DMC-D10)



**P-trap**



**P-trap with Y-strainer**



www.toritdce.com  
www.donaldson.com

Humberstone Lane  
Thurmaston  
Leicester LE4 8HP  
England

Tel +44 (0)116 269 6161  
Fax +44 (0)116 269 3028

Email: toritdce.uk@mail.donaldson.com

Research Park Zone 1  
Interleuvenlaan 1  
B-3001 Leuven (Heverlee)  
Belgium

Tel +32 (0)16 383 970  
Fax +32 (0)16 383 938

Email: toritdce.be@mail.donaldson.com