

Control Flow

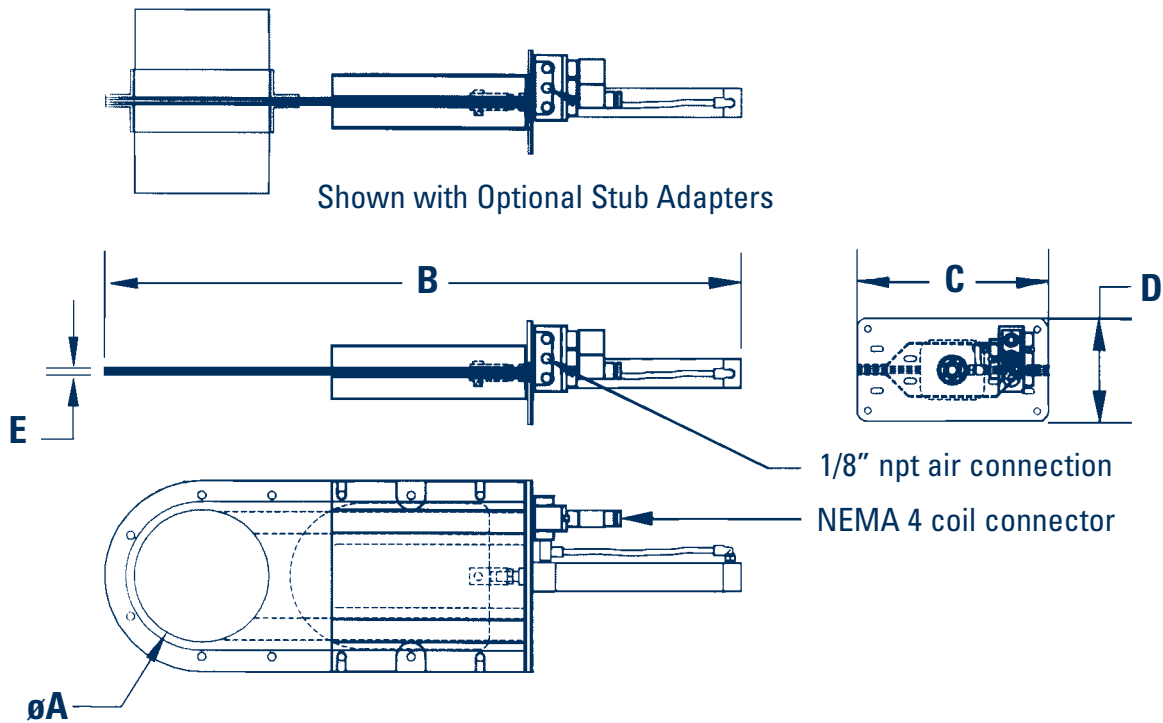
Expand Your Existing Dust Systems



The Donaldson® Torit® Control Flow automatic knife gate is the low cost answer to expanding your existing dust system.

By installing the control flow valves on machines that are used only part time, you can easily increase the number of pick up points in your shop. All without costly investment in new filters and fans.

Control Flow



A	B	C	D	E
3 1/2	20 11/16	7 5/8	4 1/16	5/16
4	20 15/16	7 5/8	4 1/16	5/16
4 1/2	23 5/16	7 5/8	4 1/16	5/16
5	25 5/8	7 5/8	4 1/16	5/16
6	28 5/8	8 5/8	4 1/16	5/16
7	31 5/8	9 5/8	4 1/16	5/16
8	34 5/8	10 5/8	4 1/16	5/16
9	37 5/8	11 5/8	4 1/16	5/16
10	40 5/8	12 5/8	4 1/16	5/16
11	43 5/8	13 5/8	4 1/16	5/16
12	47 1/4	15 1/4	4 1/16	5/16
13	50 1/4	16 1/4	4 1/16	5/16
14	53 1/4	17 1/4	4 1/16	5/16

STANDARD SPECIFICATIONS

- Galvanized steel construction
- 90-110 PSI Air cylinder
- 110 or 220 volt control voltage
- Dual ram speed controls
- Guard on moving parts
- American made ARO pneumatics

OPTIONAL

- Adapters to all existing ducting designs



Donaldson Company, Inc.
Industrial Air Filtration
P.O. Box 1299
Minneapolis, MN 55440

donaldsonorit@donaldson.com
www.donaldsonorit.com/lmcwest

Customer Service
P.O. 325
Riverbank, CA 95367

Tel 800-562-0072
Fax 209-869-0258



Information in this document is subject to change without notice.

© 2008 Donaldson Co., Inc.
Printed in U.S.A. on recycled paper

Data Sheet Control Flow (02/08)