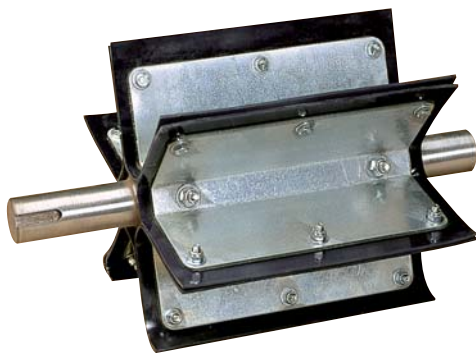


FT Rotary Airlocks

The Donaldson® Torit® FT series airlock is an excellent choice for most dust filter and cyclone applications. The flexible tip design allows the airlock to handle stringy or fibrous products that jam other types of airlocks. Typical materials include paper, wood products, animal feed and other agricultural products. The flex tip material is also excellent in abrasive applications such as glass cullet and other natural minerals.

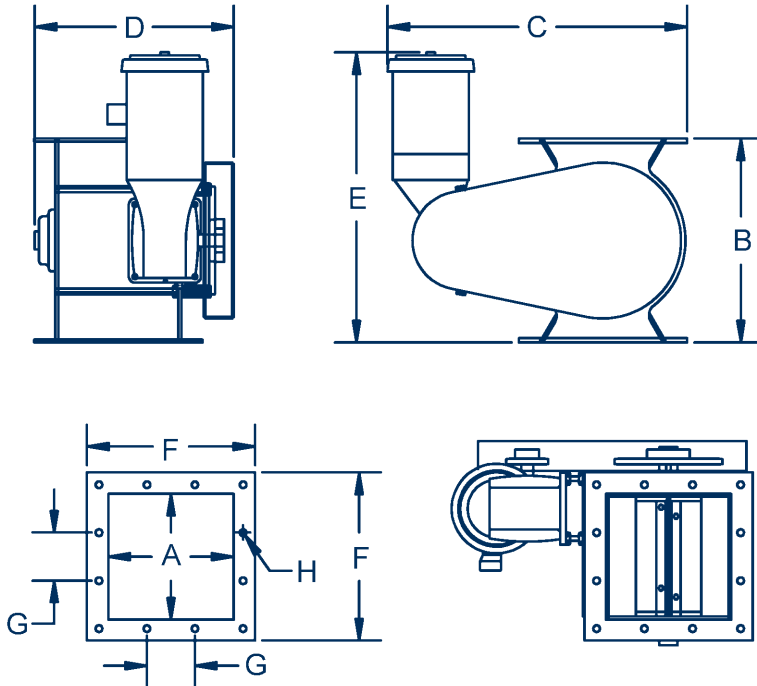


Vane Detail



Various Models

FT Rotary Airlocks



Standard Specifications

- Full welded carbon steel construction
- Flanged inlet and outlet
- 230 / 460 / 60 / 3 TEFC gear motor
- Heavy duty chain drive
- Six vane removable motor
- Replaceable polymer vanes
- Safety blue chain guard
- Standard metal preparation
- Primed and painted industrial white enamel

Options

- Slave drive kit for augers
- Explosion proof drive packages
- Adapters for existing flanges
- Stainless construction
- Special wiper material

MODEL	CFM*	HP	A	B	C	D	E	F	G	H
L10FT	2.7	1	10	17	25	18	24	14	4	9/16
L12FT	4.8	1.5	12	21	28	20	26	17 1/4	4 7/8	9/16
L16FT	12.1	3	16	28	38	25	32	22	5	9/16
L24FT	40.75	5	24	42	46	33	42	30	5 1/2	11/16
L36FT	143	7.5	36	62	60	47	62	42	5 5/8	11/16

* Cubic feet per minute based on 15 rpm and 50% cavity fill. Actual capacity will vary with material conditions.

NOT FOR CONSTRUCTION



Donaldson Company, Inc.
Industrial Air Filtration
P.O. Box 1299
Minneapolis, MN 55440

donaldsonorit@donaldson.com
www.donaldsonorit.com/lmcwest

Customer Service
P.O. 325
Riverbank, CA 95367

Tel 800-562-0072
Fax 209-869-0258



Information in this document is subject to change without notice.

© 2008 Donaldson Co., Inc.
Printed in U.S.A. on recycled paper

Data Sheet FT Rotary Airlocks (02/08)