

# Torit® Radial Blade Fans

**TRB-1, 2, 3, 5, 7.5, and 10 (60 and 50 Cycle)**

**Torit Radial Blade (TRB) Fans provide a convenient, cost-effective method of integrating a high efficiency fan with a Donaldson® Torit® dust collector.**

- Mounts directly to the clean-air plenum of the dust collector.
  - Eliminating costly transition ducting
  - Reducing footprint of system
- Sizes range from 1 to 10 hp.
- Direct-drive operation eliminates maintenance of fan bearings and belts.
- Computer balanced fan and motor assembly ensures vibration-free operation.
- High temperature design operates up to 200°F/95°C.
- All necessary hardware for quick and easy installation is included.
- Aluminum fan wheel ensures compliance with safety regulations and meets AMCA C spark resistant requirements.
- Standard paint finish is blue.



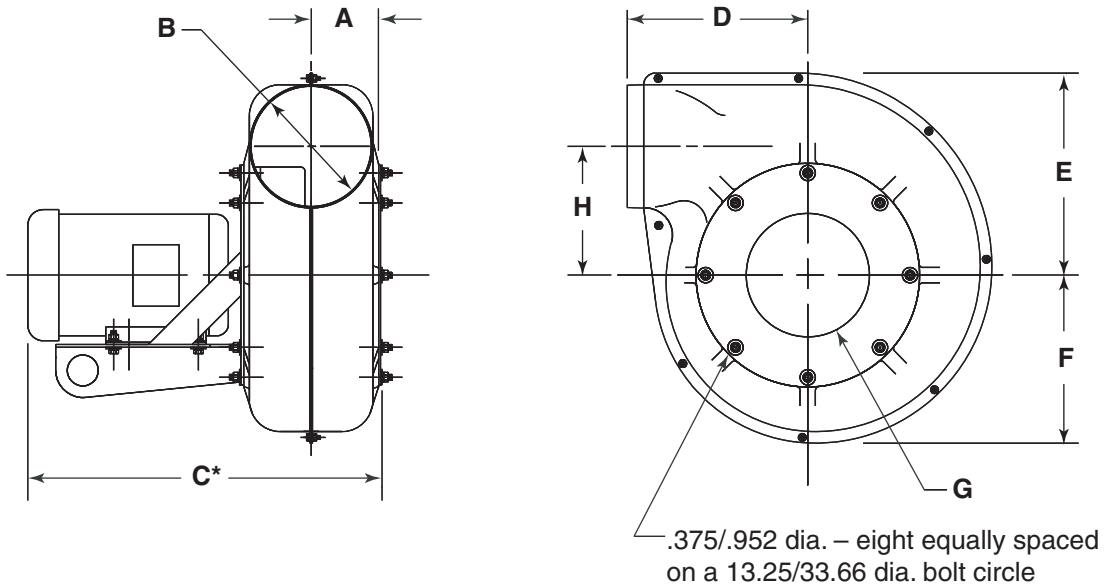
**TRB-5 (60 Cycle)**

## Equipment Options

- Explosion-proof motors – NEMA
- 60 cycle NEMA or 50 cycle IEC motor configurations
- Outlet dampers
- Outlet guards
- Chamber silencers

# Torit Radial Blade Fans

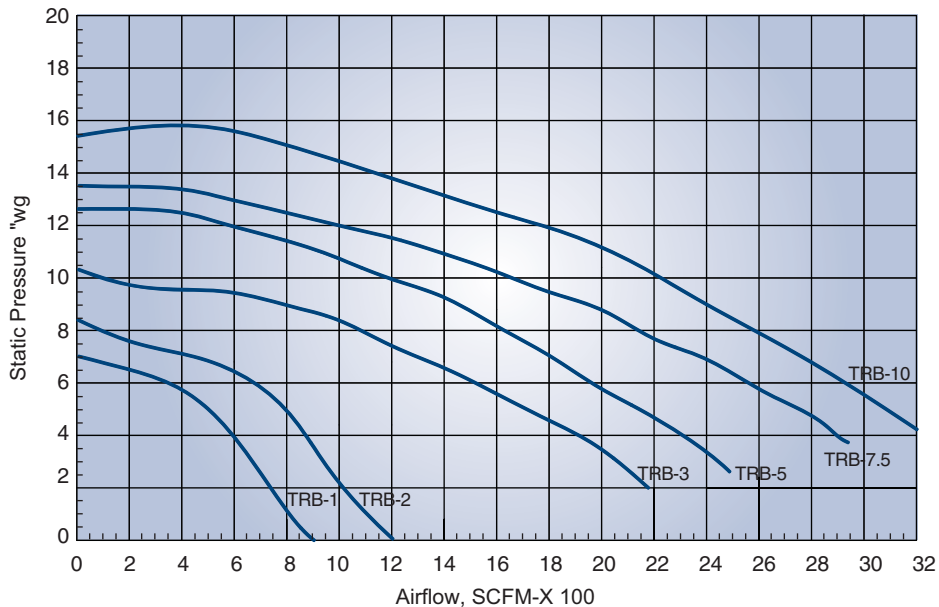
## Dimensions & Specifications for 60 Cycle TRB Fan



\* This dimension is subject to change based on the motor manufacturer chosen and on the motor enclosure type (TEFC or EP). If this dimension is critical, you should verify the information with your sales representative.

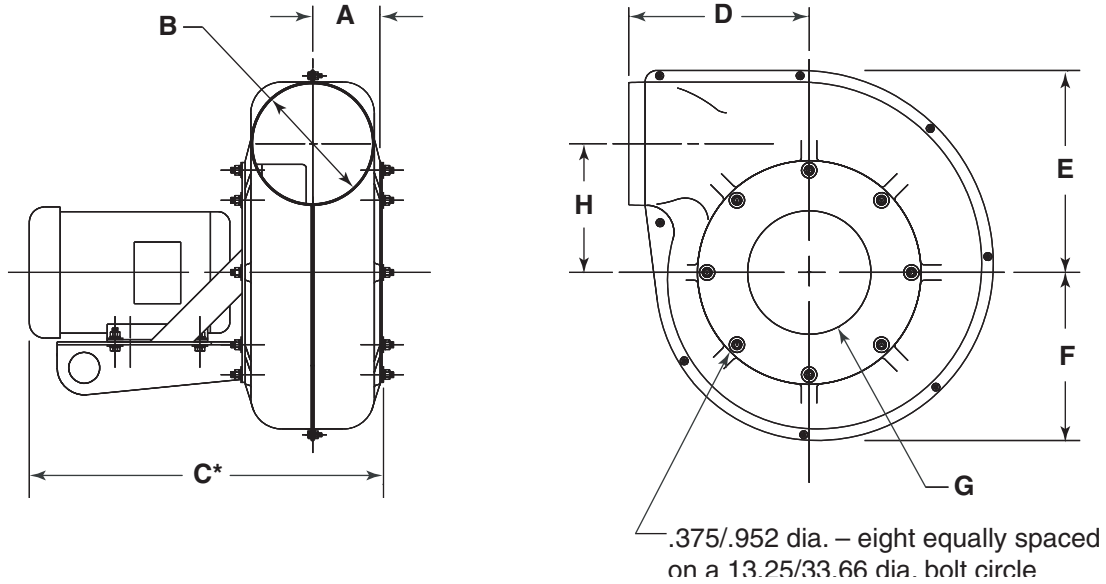
60 Cycle Fans	Dimensions																Shipping Weight	
	A		B		C*		D		E		F		G		H		(lbs)	(kg)
	(in)	(cm)	(in)	(cm)	(in)	(cm)	(in)	(cm)	(in)	(cm)	(in)	(cm)	(in)	(cm)	(in)	(cm)		
TRB-1	5.4	13.7	5.9	15.1	13.8	34.9	8.9	22.6	11.0	27.9	9.3	23.5	6.0	15.2	7.3	18.5	48	22
TRB-2	5.4	13.7	5.9	15.1	15.5	39.4	8.9	22.6	11.0	27.9	9.3	23.5	7.0	17.8	7.3	18.5	63	29
TRB-3	4.4	11.1	7.9	20.2	17.4	44.3	11.7	29.7	13.1	33.3	10.2	25.8	8.0	20.3	8.3	21.2	87	39
TRB-5	4.4	11.1	7.9	20.2	22.9	58.1	11.7	29.7	13.1	33.3	10.2	25.8	8.0	20.3	8.3	21.2	124	56
TRB-7.5	4.4	11.1	7.9	20.2	24.3	61.6	11.7	29.7	13.1	33.3	10.2	25.8	10.0	25.4	8.3	21.2	148	67
TRB-10	4.4	11.1	7.9	20.2	24.3	61.6	11.7	29.7	13.1	33.3	10.2	25.8	10.0	25.4	8.3	21.2	227	103

## Performance Curves for 60 Cycle TRB Fan



# Torit Radial Blade Fans

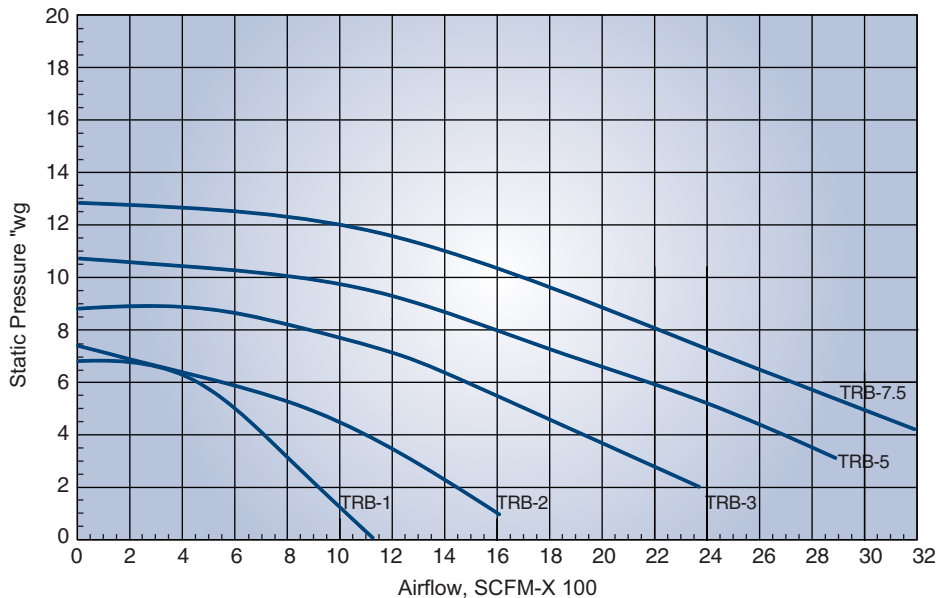
## Dimensions & Specifications for 50 Cycle TRB Fan



\* This dimension is subject to change based on the motor manufacturer chosen and on the motor enclosure type (TEFC or EP). If this dimension is critical, you should verify the information with your sales representative.

50 Cycle Fans	Dimensions																Shipping Weight	
	A		B		C*		D		E		F		G		H		(lbs)	(kg)
	(in)	(cm)	(in)	(cm)	(in)	(cm)	(in)	(cm)	(in)	(cm)	(in)	(cm)	(in)	(cm)	(in)	(cm)		
TRB-1	5.4	13.7	5.9	15.1	15.3	38.5	8.9	22.6	11.0	27.9	9.3	23.5	7.0	17.8	7.3	18.5	63	29
TRB-2	4.4	11.1	7.9	20.2	19.1	48.9	11.7	29.7	13.1	33.3	10.2	25.8	6.0	15.2	8.3	21.2	88	40
TRB-3	4.4	11.1	7.9	20.2	20.1	51.0	11.7	29.7	13.1	33.3	10.2	25.8	10.0	25.4	8.3	21.2	100	45
TRB-5	4.4	11.1	7.9	20.2	22.2	56.4	11.7	29.7	13.1	33.3	10.2	25.8	10.0	25.4	8.3	21.2	158	72
TRB-7.5	4.4	11.1	7.9	20.2	23.7	60.3	11.7	29.7	13.1	33.3	10.2	25.8	10.0	25.4	8.3	21.2	205	93

## Performance Curves for 50 Cycle TRB Fan



# Torit Radial Blade Fans

## 60 Cycle TRB Fan Sound Data\*

Model	Unsilenced <sup>1</sup>	Silenced <sup>2</sup>
TRB-1	85	75
TRB-2	87	77
TRB-3	91	81
TRB-5	93	83
TRB-7.5	95	85
TRB-10	97	87

## 50 Cycle TRB Fan Sound Data\*

Model	Unsilenced <sup>1</sup>	Silenced <sup>2</sup>
TRB-1	85	75
TRB-2	89	79
TRB-3	92	82
TRB-5	94	84
TRB-7.5	96	86
TRB-10	N/A	N/A

\* dB(A) sound levels are an average of measurements made in a laboratory environment. Installed sound levels will vary depending on the measurement location, operating conditions, and installation.

<sup>1</sup> Overall average dB(A) unsilenced fan at one meter.

<sup>2</sup> Overall average dB(A) silenced fan at one meter. Allow 1"wg restriction for 1–3 hp fans and 2" for 5–10 hp fans.



Donaldson Company, Inc.  
 Industrial Air Filtration  
 P.O. Box 1299  
 Minneapolis, MN 55440  
 Tel 800-365-1331(USA)  
 Tel 800-343-3639 (within Mexico)  
 donaldsonorit@donaldson.com  
 donaldsonorit.com

Significantly improve the performance of your collector with genuine Donaldson Torit replacement filters and parts.

**Browse our catalog at [donaldsonorit.com](http://donaldsonorit.com)**

Information in this document is subject to change without notice.

© 1998 Donaldson Co., Inc.  
 Printed in U.S.A. on recycled paper

Data Sheet TRB Fans (04/09)

