

Mini-Mist Collectors

Models MM 500 and MM 1200

Compact, machine-mountable mist collectors dedicated for use on combined machine operations.

- Three stage filtration for high filtration efficiency and optimum filter life.
- Handles mist, smoke, and particulate applications up to 1200 cfm.
- Standard Minihelic® gauge indicates when filter maintenance is required.
- Hinged access doors makes filter changeout easy and simple.
- Productivity increases and morale improves by providing a cleaner working environment.
- Helps to meet OSHA Clean Air Standards.
- Optional HEPA filter is available on all models.

Designed to filter contaminants from machining operations and industrial processes.

- CNC machining
- Grinding
- Turning
- Milling
- Drilling operations



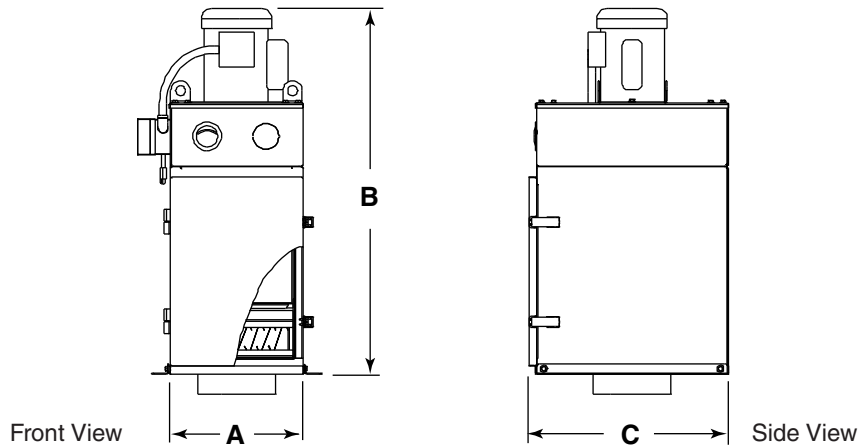
MM 1200 with Optional Junction Box



MM 500 with Optional HEPA

Mini-Mist Collectors

Dimensions & Specifications



Model	Description	Nominal Airflow* (cfm)	1st Stage	2nd Stage	3rd Stage	Inlet Collars	Dimensions (in)			Shipping Weight (lbs)
							A	B	C	
MM 500	Machine-mountable, 3-stage filtration, 1/2 hp power pack	500	4" alum. impinger	1" alum. mesh	95% high-loft glass fiber filter	6", 8"	13.5	39.2	20.3	95
MM 500 w/HEPA option	Machine-mountable, 3-stage filtration plus HEPA filter, 1/2 hp power pack	300	4" alum. impinger	1" alum. mesh	95% high-loft glass fiber filter	6", 8"	13.5	49.7	20.3	120
MM 1200 1 hp	Machine-mountable, 3-stage filtration, 1 hp power pack	1000	4" alum. impinger	1" alum. mesh	95% high-loft glass fiber filter	6", 8" or 10"	25.5	41.4	24.3	285
MM 1200 1 hp w/HEPA option	Machine-mountable, 3-stage filtration plus HEPA filter, 1 hp power pack	800	4" alum. impinger	1" alum. mesh	95% high-loft glass fiber filter	6", 8" or 10"	25.5	54.7	24.3	350
MM 1200 1 1/2 hp	Machine-mountable, 3-stage filtration, 1 1/2 hp power pack	1200	4" alum. impinger	1" alum. mesh	95% high-loft glass fiber filter	6", 8" or 10"	25.5	41.4	24.3	290
MM 1200 1 1/2 hp w/HEPA option	Machine-mountable, 3-stage filtration plus HEPA filter, 1 1/2 hp power pack	950	4" alum. impinger	1" alum. mesh	95% high-loft glass fiber filter	6", 8" or 10"	25.5	54.7	24.3	355

* Based on clean filters.

Standard Features

- Three-stage filtration
- Direct-drive fans—1/2, 1, and 1.5 hp
- Hinged access door
- High-loft, fine-fiber primary filter
- 10-year warranty

Equipment Options

- Inlet hose kit
- High efficiency first-stage filter (MM 1200 only)
- P-Trap (MM 1200 only)
- Inlet plenum (MM 1200 only)
- Support legs (MM 1200 only)



Donaldson Company, Inc.
 Industrial Air Filtration
 P.O. Box 1299
 Minneapolis, MN 55440
 Tel 800-365-1331(USA)
 Tel 800-343-3639 (within Mexico)
 donaldson@donaldson.com
 donaldson.com

Significantly improve the performance of your collector with genuine Donaldson Torit replacement filters and parts.

Browse our catalog at donaldson.com



Information in this document is subject to change without notice.

© 2002 Donaldson Co., Inc.
 Printed in U.S.A. on recycled paper

Data Sheet Mini-Mist (04/09)